

# AC1015 • 15 Amp Current Transformer

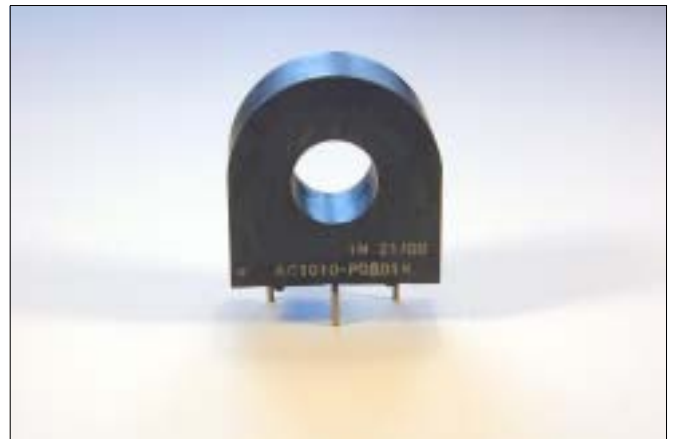
## Low Cost 50/60Hz Current Transformers

### Applications

- Sensing Overload Current
- Ground fault detection
- Metering
- Analog to Digital Circuits

### Electrical Specifications @ 20°C ambient

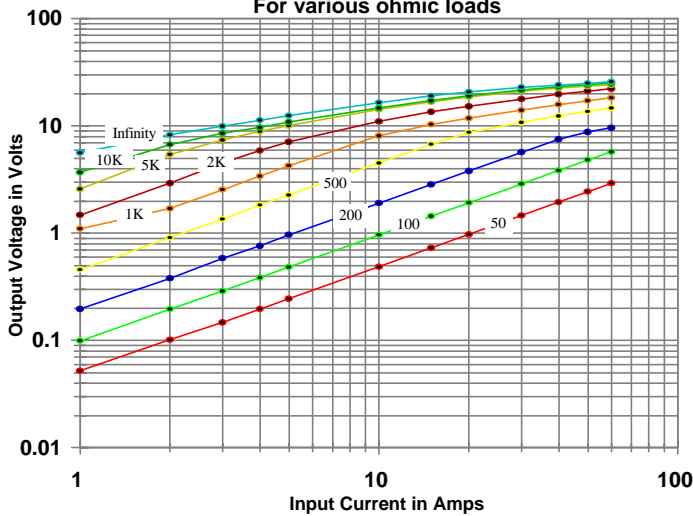
| Electrical Specifications                   |   |
|---|---|
| Primary Current                             | 15A nom., 60 A max.                         |
| Turns Ratio                                 | 1000:1 nominal                              |
| Volt per Amp Ratio at 15A for 100 ohm load  | 0.100 V/A                                   |
| Volt per Amp Ratio at 1.5A for 100 ohm load | 0.097 V/A                                   |
| DC Resistance at 20°C                       | 41.8 ohms                                   |
| Dielectric Withstanding Voltage (Hi-pot)    | 4KVrms                                      |
| Mechanical Specifications                   |   |
| Case  | Polycarbonate                               |
| Encapsulant                                 | Epoxy                                       |
| Flammability                                | Conforms to UL94-VO                         |
| Terminals                                   | Pins Ø 0.80mm                               |
| Marking                                     | Date Code (W/Y)<br>AC1015, Dot at start pin |
| Approximate Weight                          | 16.3 grams                                  |
| Tolerance                                   | ±0.2mm                                      |



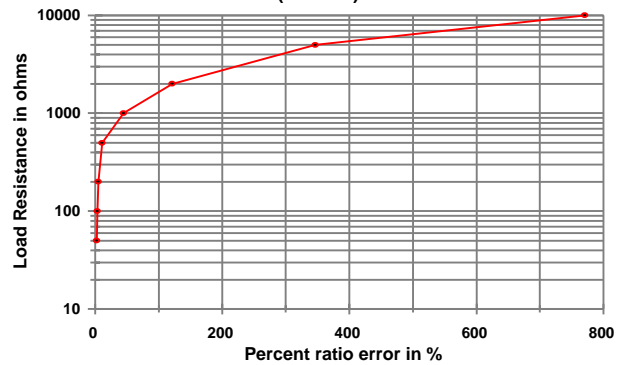
### Environmental Specifications

|                       |                  |
|-----------------------|------------------|
| Storage Temperature   | -55° to +130°C   |
| Insulation Resistance | 100 megohms min. |

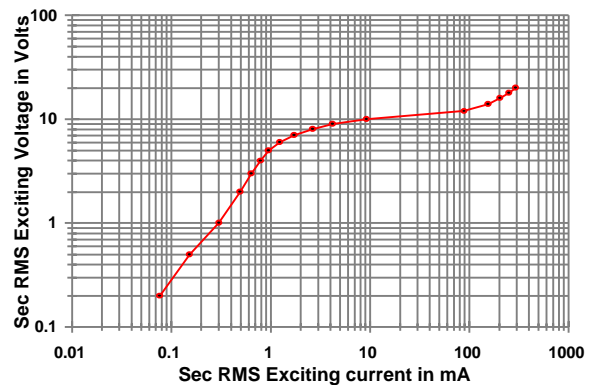
### Output Volts vs Input Current For various ohmic loads



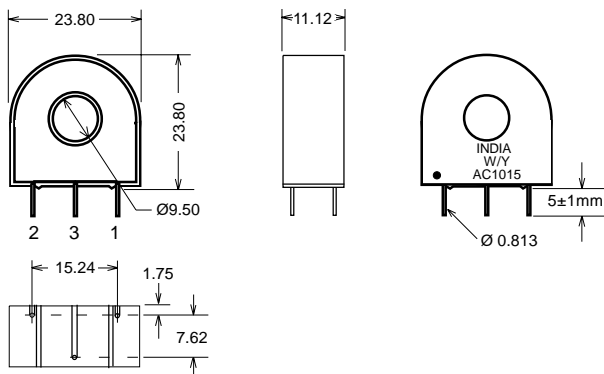
### %RE vs RL at Rated primary current (AC1015)



### Typical Excitation Curve (AC1005-AC1020)



### Dimensions



### Notes:

- 1) Unless requested, the terminating resistor and the one-turn primary are not supplied
- 2) Pin 3: Normally for mechanical support only but will be used on center tapped designs

